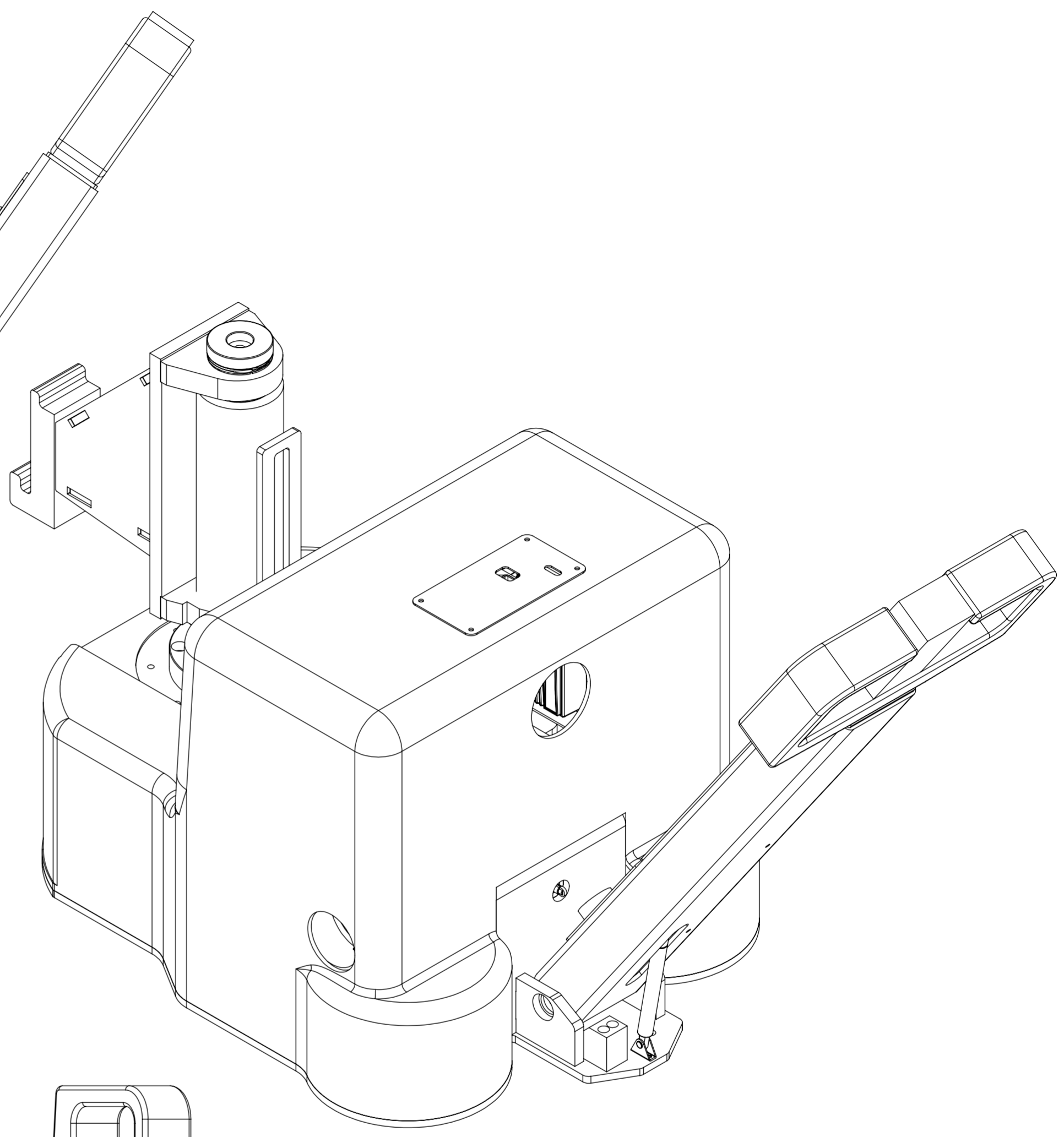
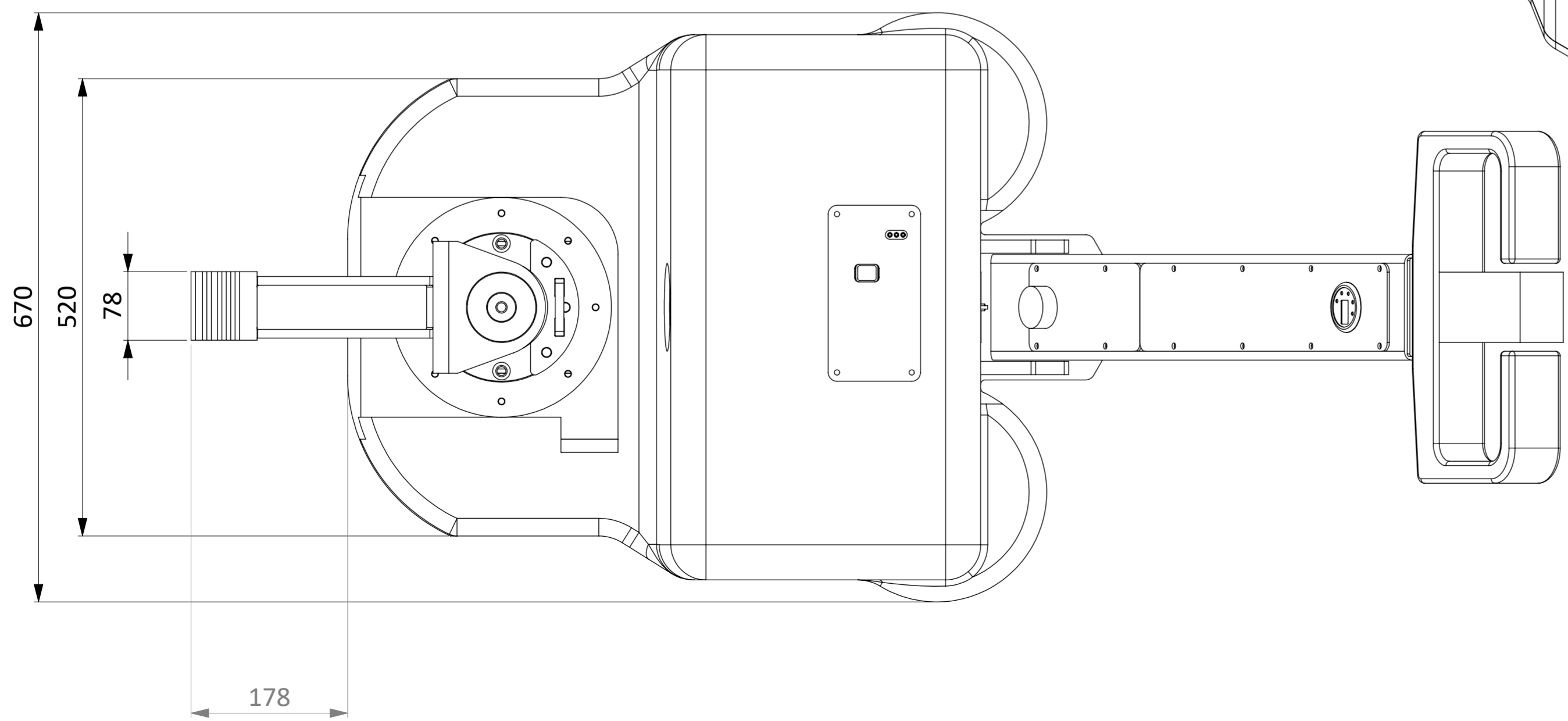
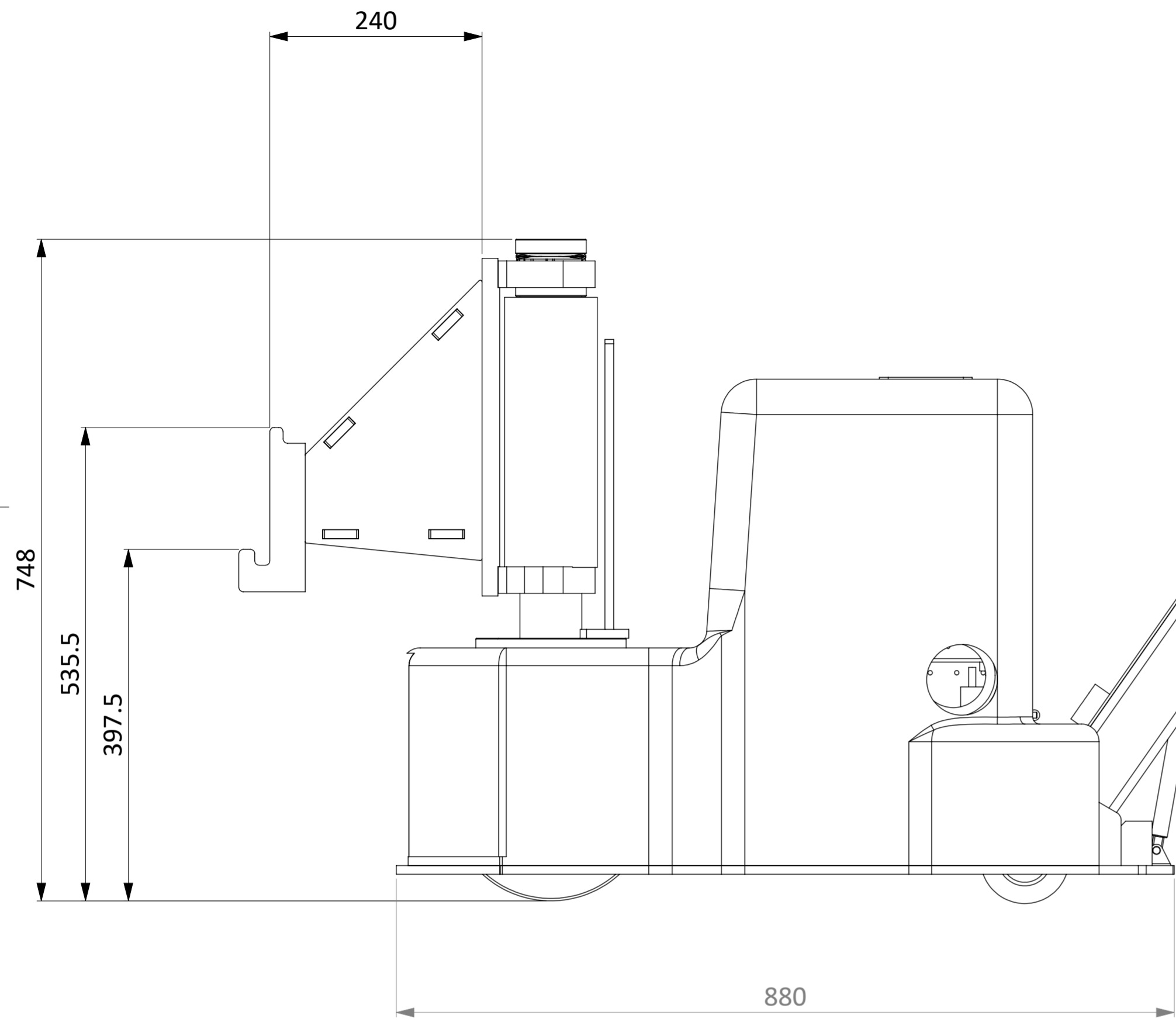


THIS DRAWING IS THE PROPERTY OF HEDIN LAGAN AB AND IS NOT TO BE REPRODUCED WITHOUT OUR WRITTEN CONSENT. THE CONTENT OF THIS DRAWING IS NOT TO BE DISCLOSED TO ANY THIRD PARTIES NOR USED DIRECTLY OR INDIRECTLY TO HARM THE INTERESTS OF THIS COMPANY. THIS DRAWING IS TO BE RETURNED UPON DEMAND.



		Drawn by	Scale	Description	Sheet	Date
			1:10	Tug Unit	2/3	
A2	Material				Tolerance	Weight kg
					ISO 2768-m	
Project		Drawing no.			Rev.	
E		PTT3-100				